

SELECT SBT-01



Inset bath | 2 sizes

An elegant symmetrical design with streamlined features, this stylish inset bath will add sleek practicality to any contemporary bathroom.

- contemporary design with smooth, clean lines
- white sanitary grade acrylic
- resists chipping, natural slip resistance
- high gloss finish
- excellent heat retention properties
- solid base support
- full resin reinforced
- full tile flange around bath
- suitable for built-in and island installation
- overflow version available

ORDER CODE **1525 LENGTH**
SBT-011525 no overflow (waste not included)
SBT-011525-OF with overflow kit (includes waste)

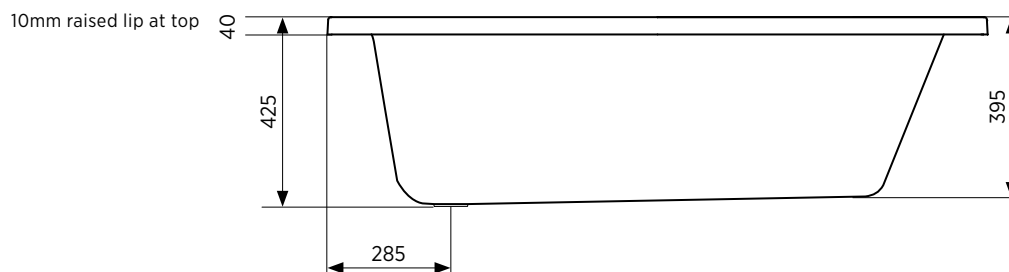
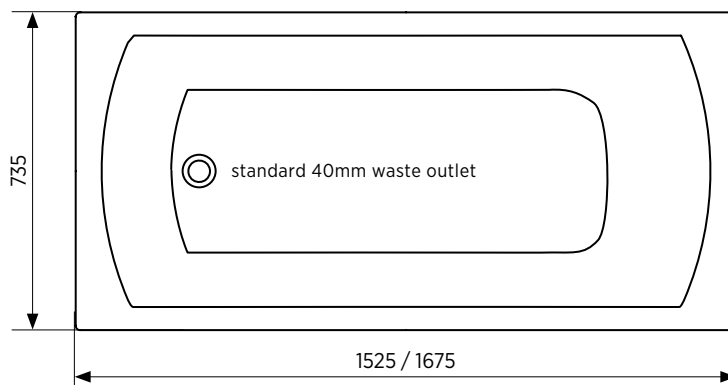
1675 LENGTH
SBT-011675 no overflow (waste not included)
SBT-011675-OF with overflow kit (includes waste)

WASTE Suits standard 40 mm waste

CAPACITY 1525 length: 230 litres / 1675 length: 260 litres

OVERFLOW Optional overflow

FIXING Use acetic cured silicone sealant. Do not use epoxy type adhesives.
Always use the actual product to verify cutout.



SEIMA

bathroom | kitchen | laundry

seima.com.au

Please note

- All measurements are in millimetres.
- Dimensions are nominal and subject to normal ceramic manufacturing variations of ± 5 mm.
- Fixing: Use silicone sealant. DO NOT USE EPOXY TYPE ADHESIVES.
- Specifications may vary without notice as part of our continuous improvement practices.
- Clean with a damp cloth. Do not use abrasive cleaners, liquids or pastes.

DS-SBT-01 | v 5.0